



## DLVG-2081 Installation Instructions



### Necessary tools for installation:

1. Measuring tape
2. Ruler
3. Inner wrench key
4. Electrical Drill
5. Screwdriver
6. Allen Key

### Parts list:

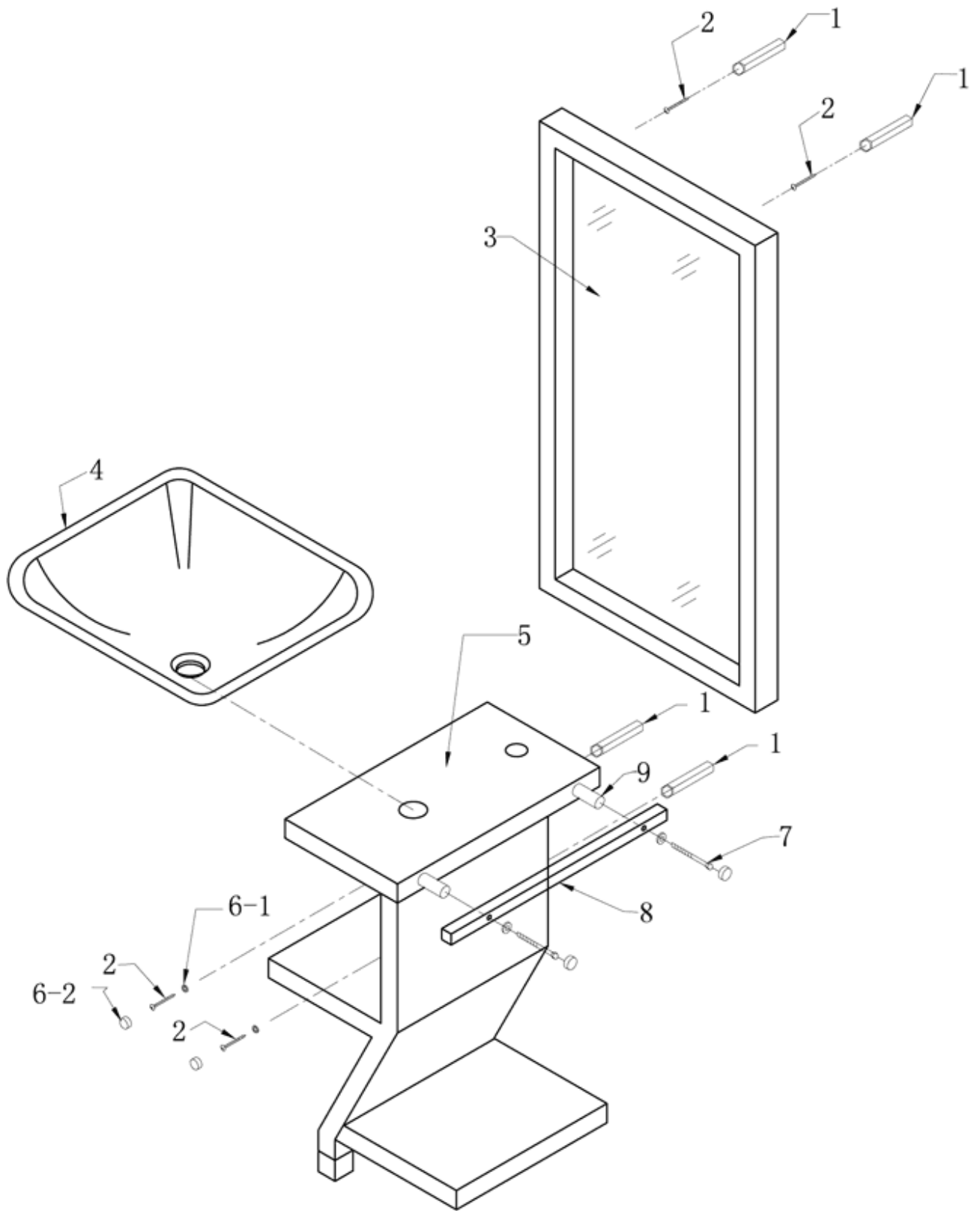
1.	Dowel	4	2.	Joint screw	4
3.	Mirror	1	4.	Ceramic basin	1
5.	Wooden stand	1	6.	Screw washer, nut	2
7.	Screw assembly	2	8.	Towel bar	1
9.	Connector	2			

### **Mounting Process:**

1. Secure the stainless steel legs.
2. Fasten the wooden stand (#5) to the wall using dowels (#1) and screws (#2). Cover with screw caps (#6).
3. Place the mounting ring, washer and the ceramic basin on top of the wooden stand.
4. Secure the towel bar (#8) in place using connectors (#9) and screw assembly (#7).
5. Connect trap to drain assembly. Hand tight to check alignment.
6. Secure the faucet in place. Connect hot and cold water lines.
7. Mount the mirror at desired position.

### **NOTE:**

1. Avoid dinging or bumping when carrying, installing or using the glass vanity.
2. Don't scrape or scratch the glass surface or painted area.
3. Make sure the brackets are leveled and steady.
4. Do not over tighten when installing the faucet or drain assembly.
5. When securing the glass basin make sure to put mounting ring and washer.
6. Make brass pads adjustment if necessary to level the countertop.



**Product Description**

**Model No. DLVG-2081**

- (1) 12mm transparent glass bowl
- (2) Solid wood bracket
- (3) Chrome finish towel
- (4) Matching mirror and light
- (5) Pop-up drain and T-trap
- (6) Optional faucet
- (7) Mirror dimensions: 35 3/8" x 23 5/8"

**Note:** Dimensions shown for location of supplies and waste are suggested.

