

# ELKAY® SPECIFICATIONS

## Traditional Gourmet Double Bowl with Ribbed Area 18 Gauge - Type 304 - Self Rim Model ILFGR5422 Series

### GENERAL

Highest quality sink bowls and integral ribbed area seamlessly drawn of #18 gauge, type 304 (18-8) nickel bearing stainless steel. Self-rimming.

### DESIGN FEATURES

Bowl Depths: 10" (large bowl), 8" (small bowl).  
Bowl and Ribbed Area Recessed: 3/16" below outside edge of sink.  
Finish: Exposed surfaces are hand blended to a lustrous highlighted Lustertone® satin finish.  
Underside: Fully protected by heavy duty Sound Guard® under-coating to prevent condensation and deaden sound.

### OTHER

Drain opening: 3-1/2".  
Faucet Holes: Available with 0, 1, 2, 3 or 4, 1-1/2" diameter faucet holes, 4" centers.  
NOTE: Unless otherwise specified, sink is furnished with 4 faucet holes as shown.

### OPTIONAL ACCESSORIES

Cutting Boards: CB1613, CB1713, CBT1713 or CBT1613  
Rinsing Baskets: LKRB1614 or LKERBSS

These sinks comply with ANSI Standard A112.19.3M.

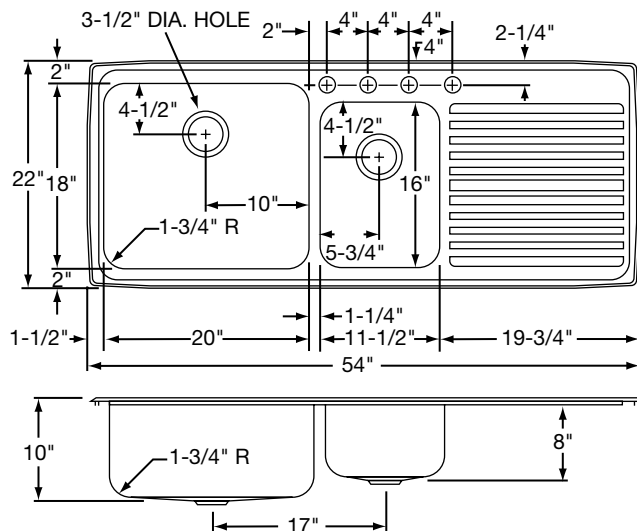


These sinks are listed by the International Association of Plumbing and Mechanical Officials as meeting the requirements of the Uniform Plumbing Code.

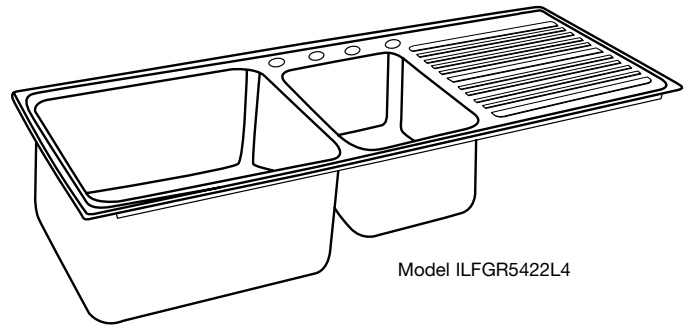
### SINK DIMENSIONS (INCHES)\*

| Model Number | Overall |    | Inside Each Bowl |    |      | Ribbed Area Length | Cutout in Countertop (1 1/2" Radius Corners) |    | Number of 1 1/2" Dia. Faucet Holes | Minimum Cabinet Size | Ship. Wt. Lbs. |              |    |    |
|--------------|---------|----|------------------|----|------|--------------------|--|----|------------------------------------|----------------------|----------------|--------------|----|----|
|              |         |    | Right            |    | Left |                    | L  | W  |                                    |                      |                |              |    |    |
|              | L       | W  | L                | W  | D    |                    |  |    |                                    |                      |                | L            | W  | D  |
| ILFGR5422L   | 54      | 22 | 20               | 18 | 10   | 11 1/2             | 16   | 8  | 19 3/4                             | 53 3/8               | 21 3/8         | 0,1,2,3 or 4 | 57 | 40 |
| ILFGR5422R   | 54      | 22 | 11 1/2           | 16 | 8    | 20                 | 18   | 10 | 19 3/4                             | 53 3/8               | 21 3/8         | 0,1,2,3 or 4 | 57 | 40 |

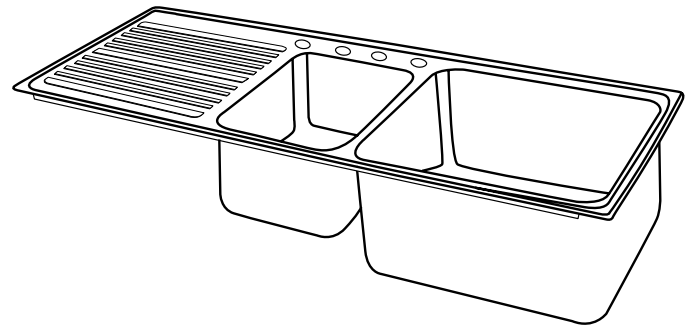
\*Length is left to right. Width is front to back.



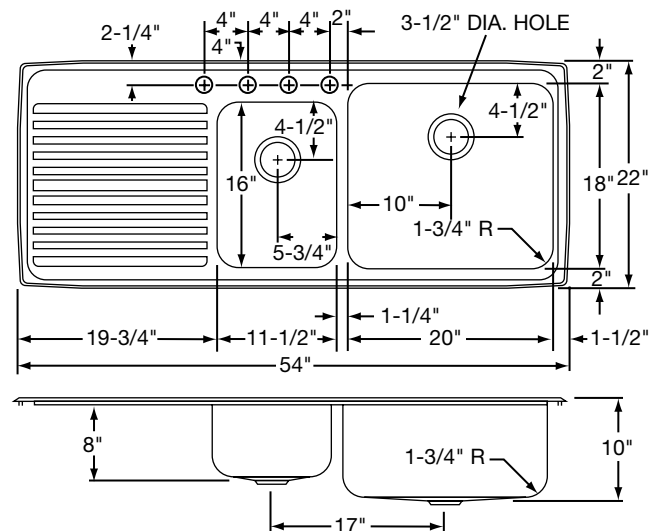
Model ILFGR5422L4 Illustrated



Model ILFGR5422L4



Model ILFGR5422R4



Model ILFGR5422R4 Illustrated

ALL DIMENSIONS IN INCHES, TO CONVERT TO MILLIMETERS MULTIPLY BY 25.4.

In keeping with our policy of continuing product improvement, Elkay reserves the right to change product specifications without notice.

This specification describes an Elkay product with design, quality and functional benefits to the user. When making a comparison of other producers' offerings, be certain these features are not overlooked.